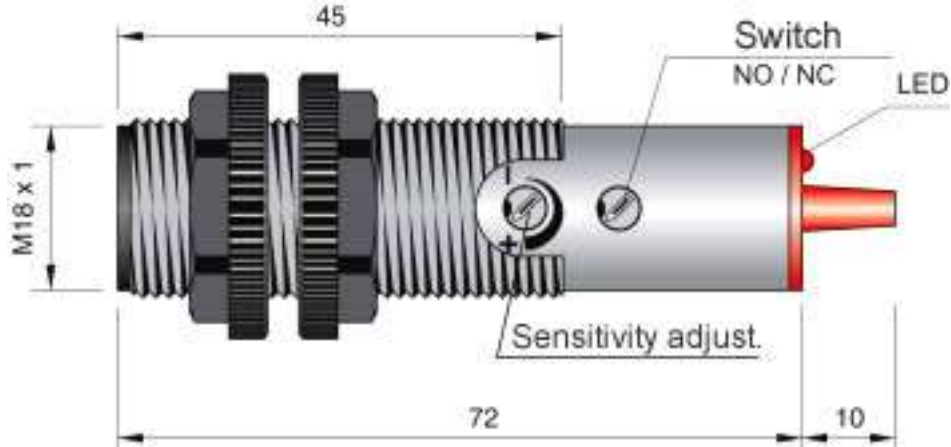




CODE : **FT1000028** DESCRIPTION : **FT18-AP4**



*

* The sensing distance is related to matt white paper dim. 20x20 cm

TECHNICAL CHARACTERISTICS

POWER SUPPLY	ALTERNATING CURRENT
WORKING VOLTAGE	20 ÷ 250 V
SWITCHING DISTANCE (Sn)	0 ÷ 40 cm (Adjustable)
OUTPUT TYPE	NO/NC
LIGHT SOURCE	INFRARED
POWER ON DELAY	<= 75 mSec
MAX SWITCHING FREQUENCY	15 Hz
MAX OUTPUT CURRENT	300 mA
ABSORPTION	<= 10 mA
MAX PEAK CURRENT FOR 20mSec	3 A
VOLTAGE DROP	1.5 V
SHORT CIRCUIT PROTECTION	PRESENT
INTERFERENCE FROM EXTERNAL LIGHT	> 10000 Lux
LEDS	RED = OPERATION INDICATOR
TEMPERATURE LIMITS	-20 ÷ +50 °C
IP RATING	IP 67
HOUSING MATERIAL	GREY MAKROLON
MECHANICAL CHARACTERISTICS	M18x1
CONNECTION TYPE	CABLE 2 m
CABLE TYPE	3x0.35 PVC
WEIGHT	100 g

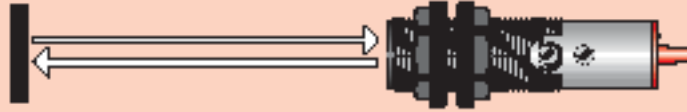


CODE : **FT1000028** DESCRIPTION : **FT18-AP4**

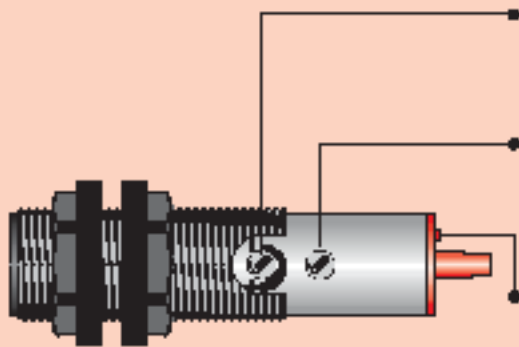
NORME DI INSTALLAZIONE

TYPES

Direct reflection (P type)



INSTRUCTIONS FOR THE PROGRAMMING AND ADJUSTMENT



TRIMMER FOR THE SENSING RANGE ADJUSTMENT: The photocell is supplied with max. sensing range with the trimmer totally rotated in the clockwise direction. The sensitivity reduces by rotating the trimmer in the anti-clockwise direction.

SWITCH NO/NC: The photocell is supplied with switch in NO position (in absence of the object to be detected the output is deactivated). To change to N.C. (in absence of the object to be sensed the output is activated) turn the switch to N.C. in the anti-clockwise direction.

LED FOR INDICATION OF OPERATION: This indicates the output of the photocell, in the absence of the object to be sensed it is off with output N.O. and is on with output N.C. this changes state when the object to be sensed enters into the sensing area of the photocell.

NOTE! Before giving a power supply to the photocell it is recommended that the same unit be programmed by using the switch in the required function NO or NC.

NOTE! It is recommended that the trimmer and the switch be rotated very carefully by using a proper tool otherwise these can be seriously damaged.



CODE : **FT1000028** DESCRIPTION : **FT18-AP4**

NORME DI INSTALLAZIONE

3 WIRES CABLE



CHARACTERISTIC CURVES OF FT18M - FT18 - FT18EL - FTQ TYPES

FT18M-CP4 / FT18-AP4

